

GENERAL SPECIFICATION

BEAM ANGLES	140°
INPUT VOLTAGE	24VDC
PWM FREQUENCY	1600MHz
MAX. UNIT IN LINE	32 PCS
MAX. LEGHT IN LINE	20 METER
CONTROL	DMX512
ADRESSING	AUTOMATIC
PCB TYPE	1,6MM FR4 PTH (Plated Through Hole)
OPERATING TEMPERATURE	-40°C TO 50°C
IP GRADE	IP66
BODY	POLICARBONATE / INOX SCREWS
DIFFUSER	POLICARBONATE
CABLE	PE, 2X2,5MM ² + 3X0,22MM ²
CABLE LENGHT	FEMALE : 135MM, MALE :149MM
CONNECTOR	PE, SEAL CONNECTOR, 5PIN, IP67
DIMENSIONS	L: 400MM (WITH CABLES) H: 53MM W:83.20MM
WEIGHT	350 GR

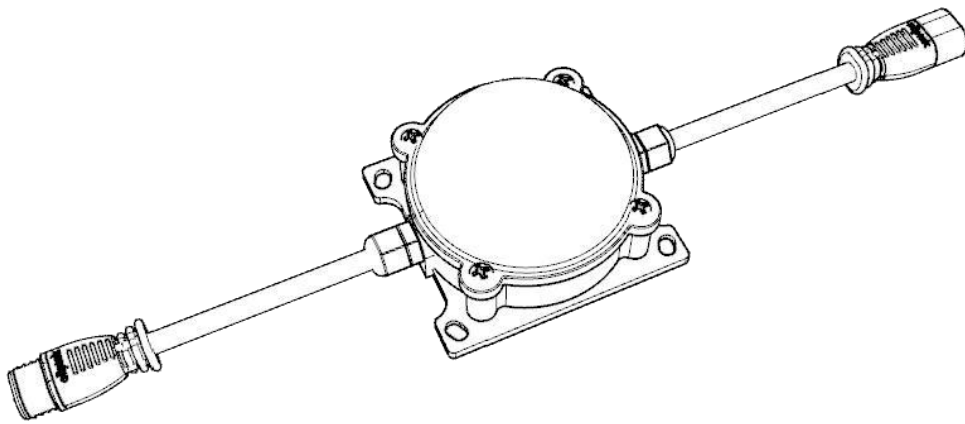
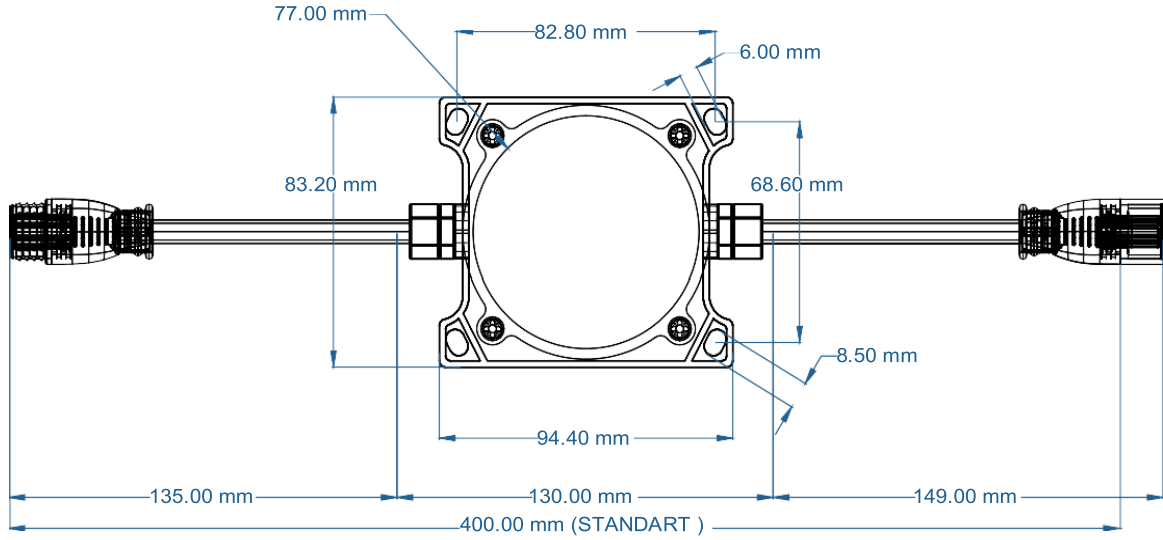
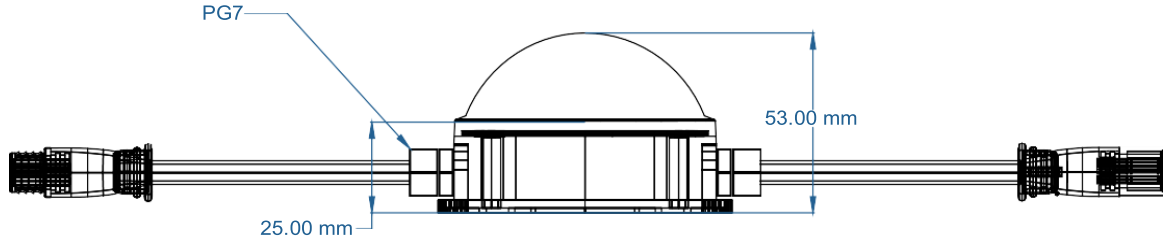


MODELS

MODEL	CONTROL	# DMX CHANNEL	LIGHT COLOR	CHANNEL POWER	TOTAL POWER	QUANTITY	LED TYPE / MAX. CURRENT	LED BRANDS
PoiPiX - RGB	DMX512	3	RGB	3X0,83 W	2,50 W	12 PCS HIGH INTESITY 3IN1 RGB LED	3535 / (3X60ma Max.)	NICHIA / CREE
PoiPiX - RGBW	DMX512	4	RGB	3X0,83 W	4,00 W	12 PCS HIGH INTESITY 3IN1 RGB LED	3535 / (3X60ma Max.)	NICHIA / CREE
			W	1,50 W		12 PCS 2700K, 3000K, 4000K or 6500K	2835 / (60ma Max.)	SAMSUNG / OSRAM
PoiPiX - RGBA	DMX512	4	RGB	3X0,83 W	4,00 W	12 PCS HIGH INTESITY 3IN1 RGB LED	3535 / (3X60ma Max.)	NICHIA/CREE
			A	1,50 W		12 PCS AMBER (590nm)	2835 / (20ma Max.)	CREE
PoiPiX - HIGH SINGLE	DMX512 / ON-OFF	1	W	3,00 W	3,00 W	24 PCS 2700K, 3000K, 4000K or 6500K	2835 / (60ma Max.)	SAMSUNG / OSRAM
			R	3,00 W		24 PCS RED (620nm)	2835 / (20ma Max.)	CREE
			G	3,00 W		24 PCS GREEN (527nm)	2835 / (20ma Max.)	CREE
			B	3,00 W		24 PCS BLUE (470nm)	2835 / (20ma Max.)	CREE
			A	3,00 W		24 PCS AMBER (590nm)	2835 / (20ma Max.)	CREE
PoiPiX - DYNAMIC WHITE	DMX512	2	2700K	1,50 W	3,00 W	12 PCS 2700K	2835 / (60ma Max.)	SAMSUNG / OSRAM
			6500K	1,50 W		12 PCS 6500K	2835 / (60ma Max.)	SAMSUNG / OSRAM
PoiPiX - MIX	DMX512	2	W,R,G,B,A	1,50 W	3,00 W	12 PCS (FOR EACH CHANNEL)	2835 / (60ma Max.)	SAMSUNG / OSRAM
			W,R,G,B,A	1,50 W		12 PCS (FOR EACH CHANNEL)	2835 / (60ma Max.)	SAMSUNG / OSRAM

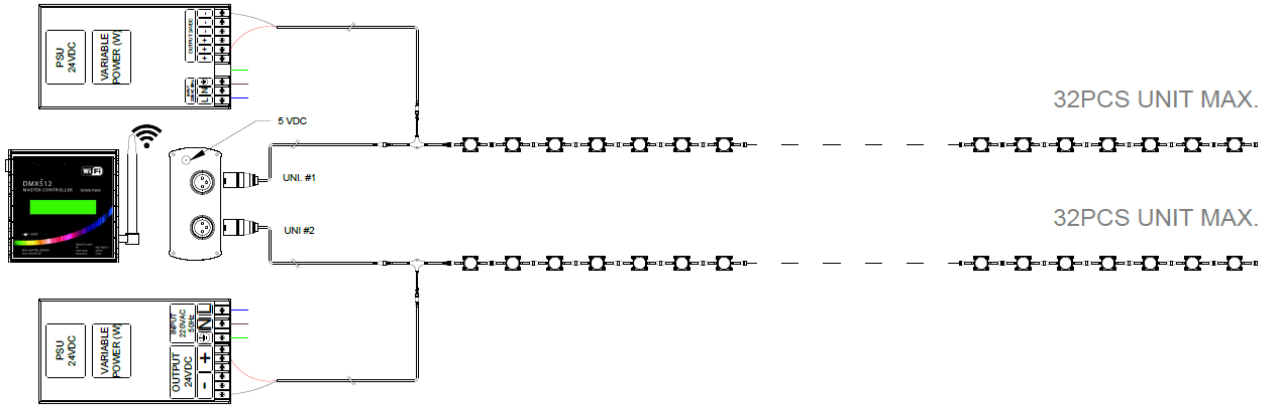


DIMENSIONS

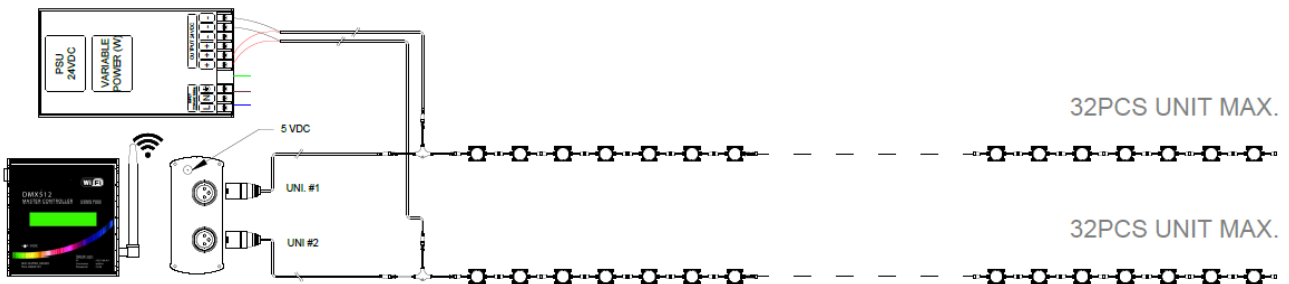


SCHEMATIC DIAGRAM

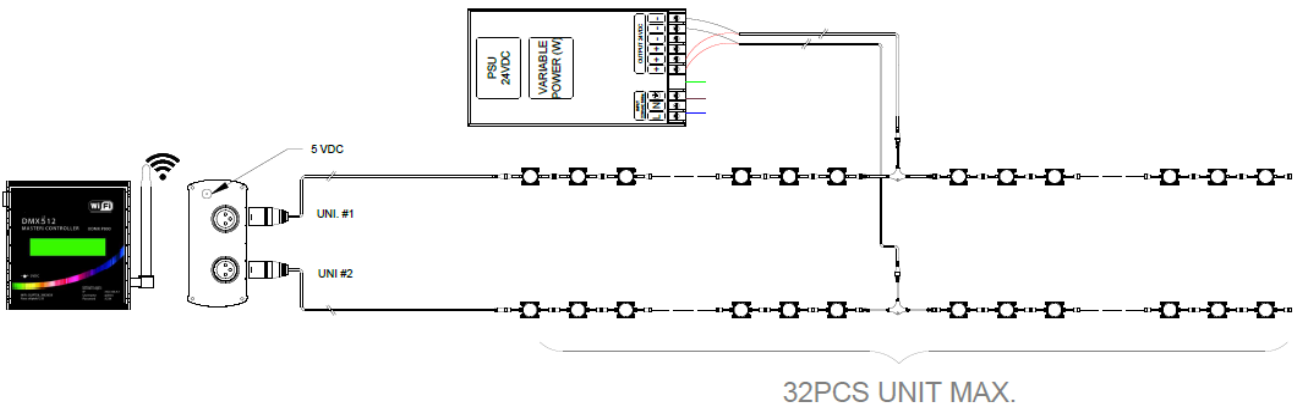
EXAMPLE #1



EXAMPLE #2








EXAMPLE #3



ACCESORIES (CABLES)

CABLE TYPE	SPECIFICATION
	OSC SOC5S-040C, SEAL CONNECTOR, MALE/ FEMALE, 5WIRE, (2x2.5+3x0.34mm ²), BLUE, GREY, 40cm, BODY (PC+PE), IP67
	OSC SOC5M-100C, SEAL CONNECTOR, MALE, 5WIRE, (2x2.5+3x0.34mm ²), BLUE, GREY, 100cm, BODY (PC+PE), IP67
	OSC SOC5F-100C, SEAL CONNECTOR, FEMALE, 5WIRE, (2x2.5+3x0.34mm ²), BLUE, GREY, 100cm, BODY (PC+PE), IP67
	OSC SOC5E-100C, SEAL CONNECTOR, MALE TO FEMALE, 5WIRE, (2x2.5+3x0.34mm ²), BLUE, GREY, 100cm, BODY (PC+PE), IP67
	OSC SOC5T2-005C, SEAL CONNECTOR, FEMALE TO 2 MALE, 5WIRE, (2x2.5+3x0.34mm ²), BLUE, GREY, 5cm, BODY (PC+PE), IP67
	ODC XLR3E-100C DMx CONNECTOR MALE TO FEMALE 3x0,22mm ² 100cm P+M IP20
	ODC XLR3F-100C DMx CONNECTOR FEMALE TO WIRE 3x0,22mm ² 100cm P+M IP20
	ODC XLR3M-100C DMx CONNECTOR MALE TO WIRE 3x0,22mm ² 100cm P+M IP20
	ODC XLR5E-100C DMx CONNECTOR MALE TO FEMALE 5x0,22mm ² 100cm P+M IP20
	ODC XLR5F-100C DMx CONNECTOR FEMALE TO WIRE 5x0,22mm ² 100cm P+M IP20
	ODC XLR5M-100C DMx CONNECTOR MALE TO WIRE 5x0,22mm ² 100cm P+M IP20

ACCESORIES (DMX MASTER CONTROLLERS)

GEAR TYPE	SPECIFICATION
	ODX S100A, BASIC, 1x512Ch, WiFi / WEB INTERFACE, STANDALONE 2 CONTROL BUTTON, NO SD CARD / 2MB, NO IR REMOTE, 1x3PIN XLR, ALU. WALL TYPE, 110x50x53mm, IP20
	ODX S200A, BASIC, 2x512Ch, WiFi / WEB INTERFACE, STANDALONE/LIVE, NO SD CARD / 2MB, IR REMOTE, 2x3PIN XLR, ALU. WALL TYPE, 110x50x53mm, IP20
	ODX P800A, PRO, 2x512Ch, WiFi / WEB INTERFACE, STANDALONE/LIVE, SD CARD 2GB, IR REMOTE, 2x3PIN XLR, ALU. WALL TYPE, 110x50x103mm, IP20
	CDMX GW4A, PRO, 4x512Ch, ETHERNET, LIVE, ALU. WALL TYPE, 190x40x115mm, IP20
	CDMX GW8A, PRO, 8x512Ch, ETHERNET, LIVE, ALU. WALL TYPE, 190x40x115mm, IP20

