

## GENERAL INFORMATION

Recommended installation height	4m to 15m
CE mark	Yes
ROHS compliant	Yes
CCT	4000°K (Standard)
CRI	>80
Power	150 W
Luminaire Light Output	18.000 Lm
Efficacy	120 Lm/W
Testing standard	EN 60598-1 EN 60598-2-13 EN 62262 EN 60529 IEC TR 62778 LM 79-08
Warranty	5 Years

## HOUSING AND FINISH

Housing	Aluminium Injection
Dimensions (mm)	650x300x120
IP	IP 66
Colour Options	Yes

## ELECTRICAL INFORMATION

Input Voltage	220-240 VAC
PF (Power Factor)	> 95
Dimmable Options	1-10V, TRIAC, DALI
Electromagnetic compatibility (EMC)	EN 55015:2013/A1:2015, EN 61000-3-2:2014, EN 61000-3-3:2013, EN61000-4:2,3,4,5,6,11, EN 61547:2009, EN62384 EN 62493:2015

## FIELDS OF APPLICATION

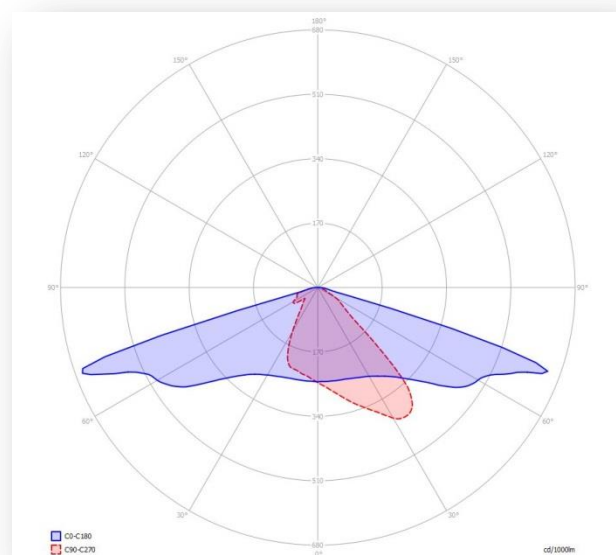


Powered by Samsung LED  
Philips LED Driver



## OPTICAL INFORMATION

LED	Mid Power / High Power LED
Lens	Polymer Injection PMMA
LED Lifetime	50.000 Hours
diffuser	Extra clear Tempered Glass
Beam Angles	Asymmetric
LED colour (optional)	2700°K-3000°K-4000°K- 5000°K-6500°K

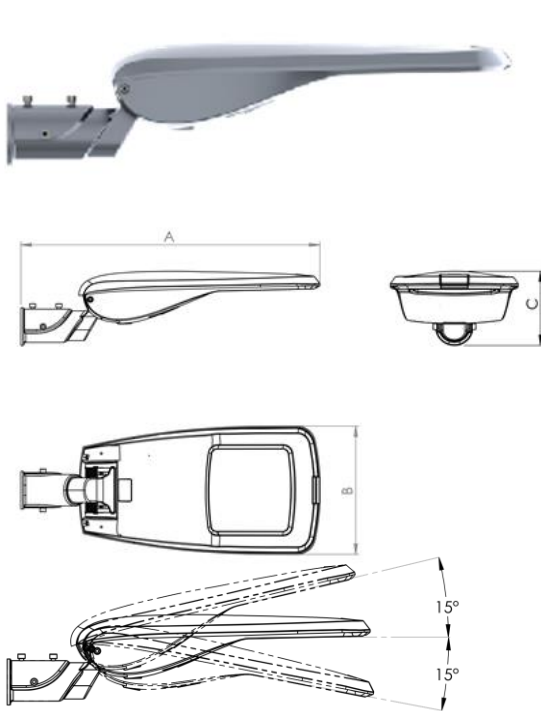


## OTHER OPTIONS

Stock Code	Product Name	LED	MP LED Quantity	Correlated Color Temperature (CCT)	Color Rendering Index (CRI)	Power (W)	Light Output (lm)	Efficacy (lm/W)	Pcs Pack	Package Vol.(m <sup>3</sup> )	Package Weight (kg)	Dimension (mm)
150.25.1615	Phaselix Street Lighting Luminaire MP 60W	LM302D	72MP	4000 °K	80	60	7500	125	1	0.0234 m <sup>3</sup>	6,0	650x300x120
150.25.1619	Phaselix Street Lighting Luminaire MP 75W	LM302D	96MP	4000 °K	80	75	9750	130	1	0.0234 m <sup>3</sup>	7,0	650x300x120
150.25.1623	Phaselix Street Lighting Luminaire MP 80W	LM302D	96MP	4000 °K	80	80	10400	130	1	0.0234 m <sup>3</sup>	7,0	650x300x120
150.25.1627	Phaselix Street Lighting Luminaire MP 100W	LM302D	144MP	4000 °K	80	100	12500	125	1	0.0234 m <sup>3</sup>	7,5	650x300x120
150.25.1631	Phaselix Street Lighting Luminaire MP 120W	LM302D	144MP	4000 °K	80	120	15000	125	1	0.0234 m <sup>3</sup>	7,5	650x300x120
150.25.1635	Phaselix Street Lighting Luminaire MP 150W	LM302D	144MP	4000 °K	80	150	18000	120	1	0.0234 m <sup>3</sup>	7,5	650x300x120

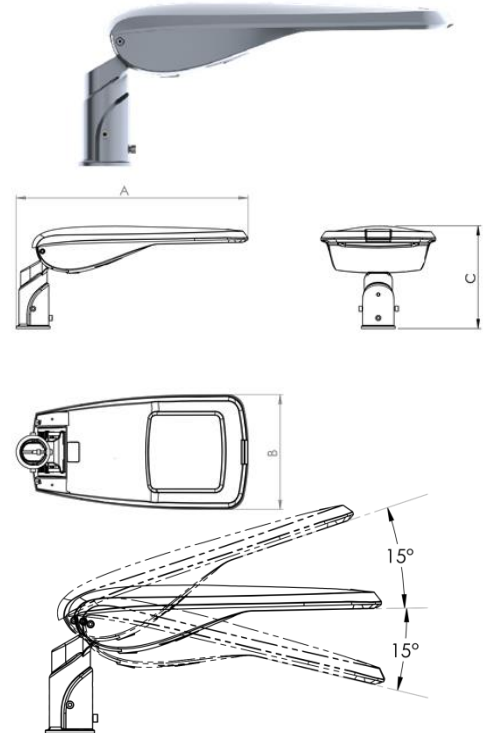
Stock Code	Product Name	LED	HP LED Quantity	Correlated Color Temperature (CCT)	Color Rendering Index (CRI)	Power (W)	Light Output (lm)	Efficacy (lm/W)	Pcs Pack	Package Vol.(m <sup>3</sup> )	Package Weight (kg)	Dimension (mm)
150.25.4604	Phaselix Street Lighting Luminaire HP 60W	LH351C	24HP	4000 °K	80	60	7500	125	1	0.0234 m <sup>3</sup>	6,0	650x300x120
150.25.4605	Phaselix Street Lighting Luminaire HP 75W	LH351C	32HP	4000 °K	80	75	9750	130	1	0.0234 m <sup>3</sup>	7,0	650x300x120
150.25.4606	Phaselix Street Lighting Luminaire HP 80W	LH351C	32HP	4000 °K	80	80	10400	130	1	0.0234 m <sup>3</sup>	7,0	650x300x120
150.25.4607	Phaselix Street Lighting Luminaire HP 100W	LH351C	48HP	4000 °K	80	100	12500	125	1	0.0234 m <sup>3</sup>	7,5	650x300x120
150.25.4608	Phaselix Street Lighting Luminaire HP 120W	LH351C	48HP	4000 °K	80	120	15000	125	1	0.0234 m <sup>3</sup>	7,5	650x300x120
150.25.4609	Phaselix Street Lighting Luminaire HP 150W	LH351C	48HP	4000 °K	80	150	18000	120	1	0.0234 m <sup>3</sup>	7,5	650x300x120

## SIDE ENTRY ASSEMBLY



A	B	C
660 mm	285 mm	165 mm

## BOTTOM ENTRY ASSEMBLY



A	B	C
575 mm	285 mm	255 mm

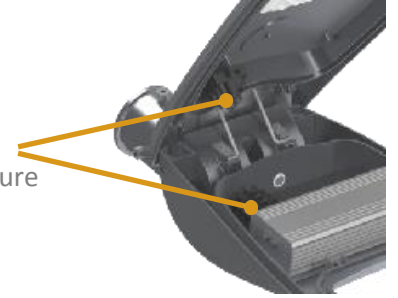


#### Tool-free Maintenance

Buckle for fixing housing could be opened without tools. There is supporting bracket to hold the upper part when electricians open the lid for maintenance job.

#### Power-off Protection

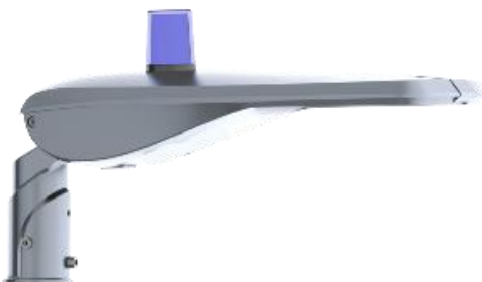
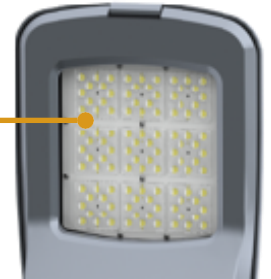
Power would be automatically switch off Once the fixture body opened.



Easy to change LED module structure and Led Driver unit, does not require soldering.

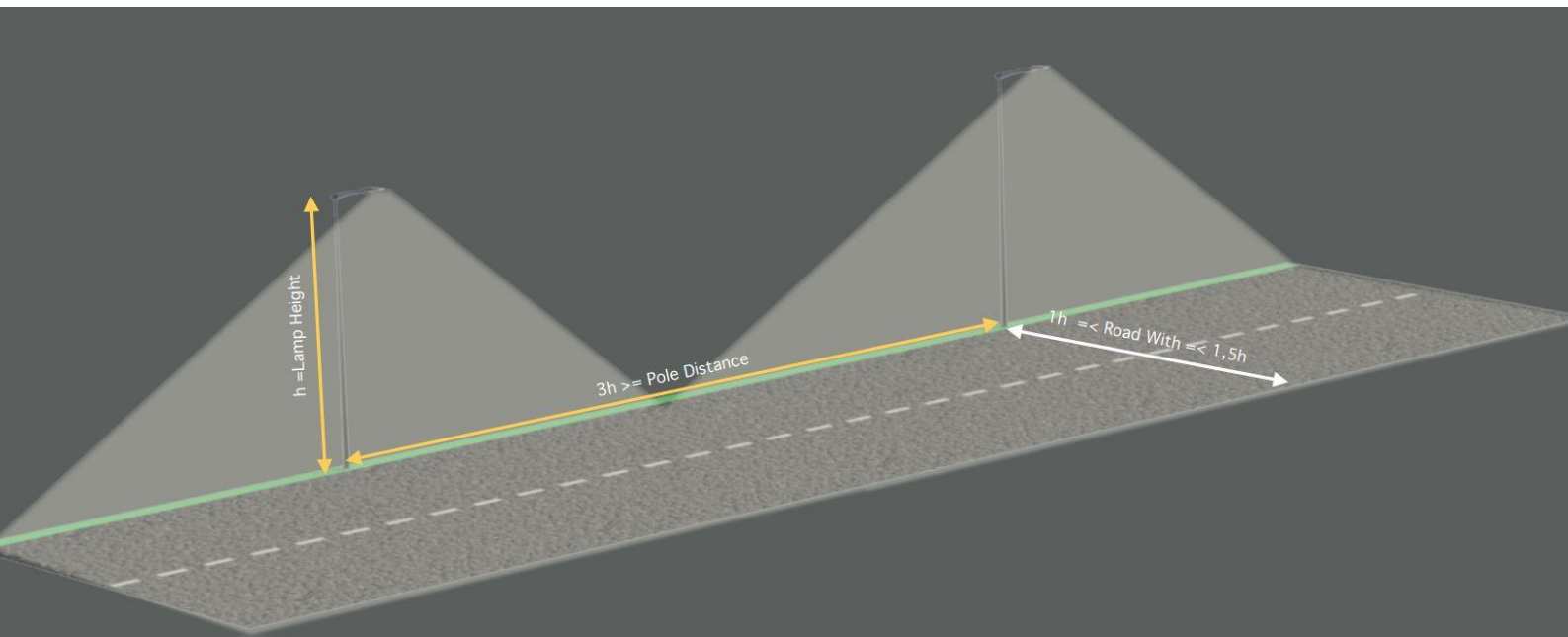
#### Optic options

The high transmittance optical lens is designed for the most efficient use. Does not make yellowing.

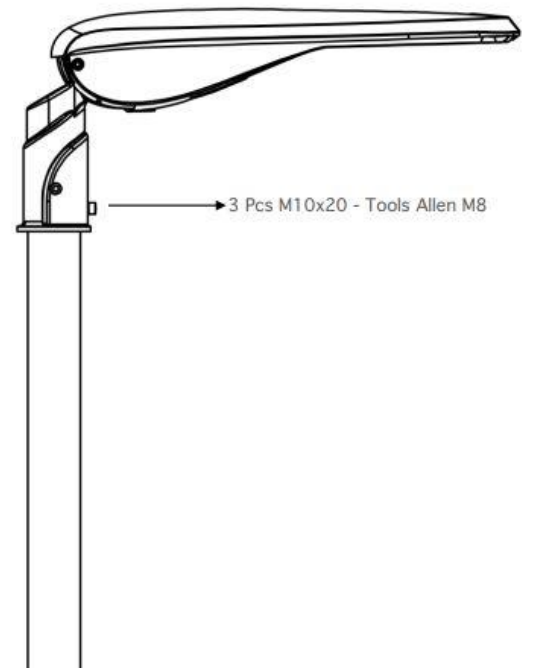
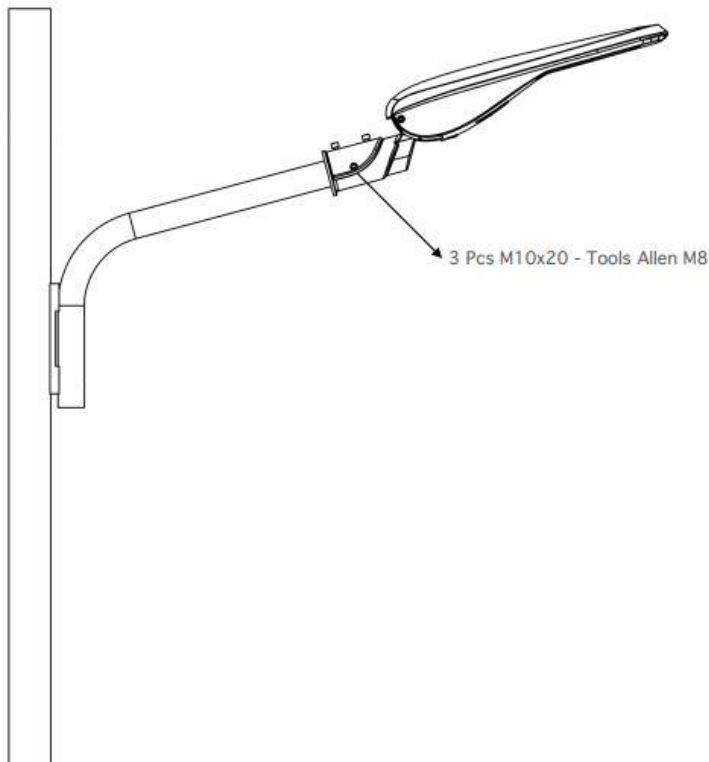
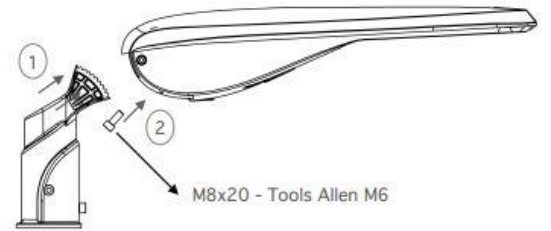
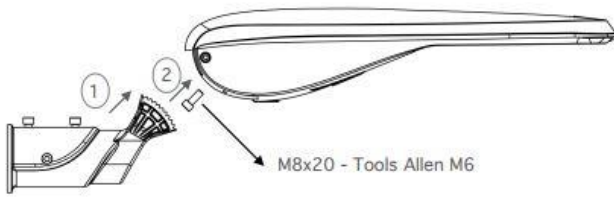


#### Akaysis Technology Intelligent Lighting System (Option)

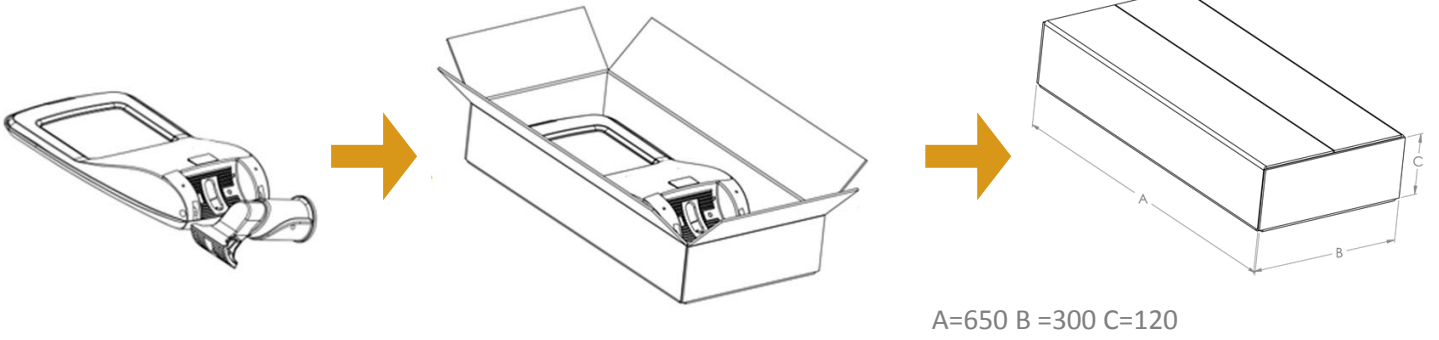
Central control interface. Check and edit data such as the time of the malfunctioning lights on and off, brightness level, etc. over the internet. Group your lights, and groups light up more with motion sensors.



## INSTALLATION WAY



## PACKING LAYOUT

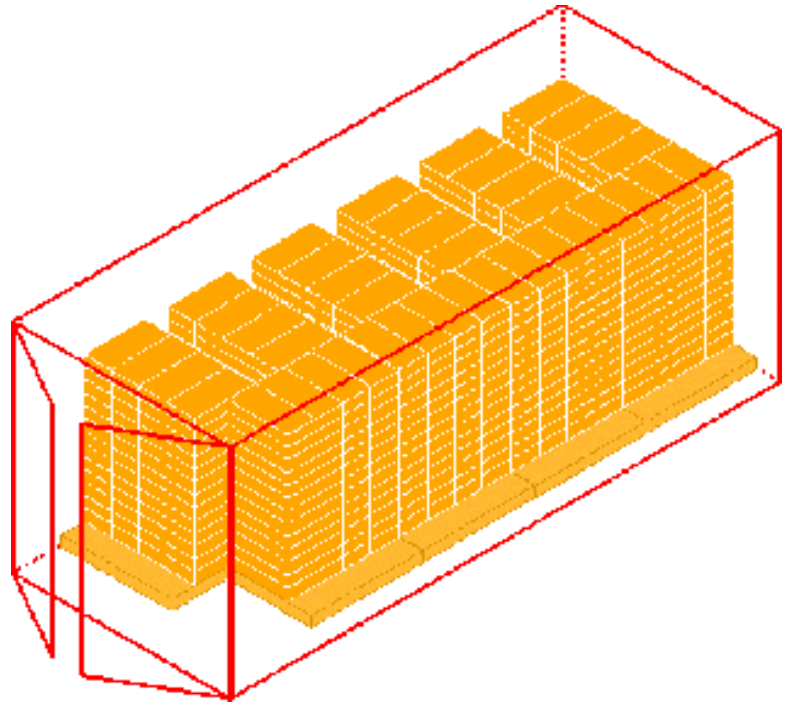
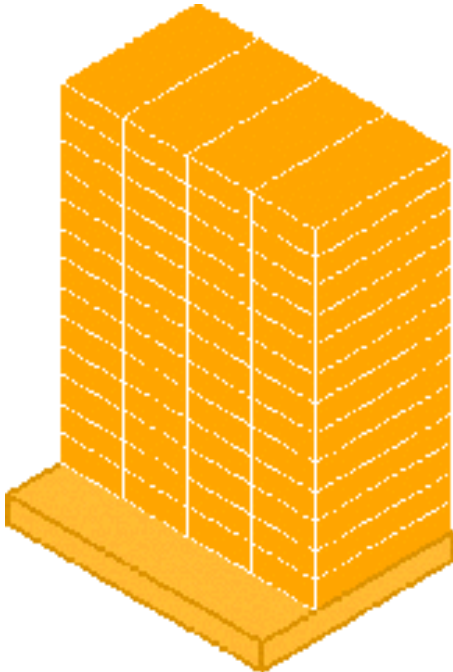


## Package Size

650 mm x 300 mm x 120 mm. / Pcs Product

## Palet Size

1200 mm x 1000 mm x 1600 mm. 4 x 13 / Pcs Product



20' Konteyner 520 Pcs Products / Volume 12.17 m3