



"Creates Intelligent Photons"

Fotonik Lighting Solutions

ARCHITECTURAL LIGHTING LUMINAIRES
MİMARİ AYDINLATMA ARMATÜRLERİ

2021



FIELDS OF APPLICATIONS UYGULAMA ALANLARI

Iphoton serisi mimari aydınlatma armatürlerimiz uzun ömürlü ve estetik yapısı ile yapı üzerinde bulunan detayları ortaya çıkartmak için tasarlanmıştır. Uzun ömürlü ve dayanıklı yapısına rağmen estetik ve küçük boyutlu yapıya sahiptir. Kullandığımız kaliteli LEDler ile enerji tasarruflu, yüksek verimli ve uzun ömürlü olan mimari armatürlerimiz yapı üzerindeki her türlü ışık problemini çözmek için tasarlanmıştır.

Uygulama alanına göre farklı güçte ve 10' ,15' , 25' ve 10X60' lens seçenekleriyle üretilen Iphoton özel montaj ve ayak sistemleriyle her türlü cepheye ve yüzeye rahatça uygulanabilmektedir. Iphoton mimari aydınlatma armatürleri 32cm, 62cm, 92cm ve 122cm olmak üzere 4 farklı boyda üretilmektedir.

Iphoton; kontrol edilebilir ve sabit renkli olmak üzere iki farklı tipte Kırmızı, yeşil, Mavi , Amber, Günışığı, Dinamik beyaz , RGB ve RGBW olmak üzere 9 farklı renk seçeneği ile üretilmektedir. Kontrol edilmeyen sabit renkli armatürler, harici bir pano ihtiyacı olmaksızın 220VAC girişli dahili güç ünitesi ile çalışmaktadır.

DALI, DMX protokolleri ile kontrol edilebilen armatürler ise, harici pano ihtiyacı olmaksızın armatür kasası içerisine yerleştirilen güç ve kontrol birimleriyle DMX512 sistemi üzerinden kontrol edilebilmektedir. Bu sayede zorlu ve pano yerleştirilmesi mümkün olmayan alanlarda sadece enerji ve data kabloları ile kontrol edilebilen sistem çözümleri sunulmaktadır.

Ürünlerimiz IP67 sızdırmazlık sınıfında ve IK08 standardında tanımlanan darbelere karşı dayanıklıdır. Kontrol edilebilen armatürler 3yıl sistem garantili olup, tek renkli ürünlerimiz 5 yıl garantilidir.

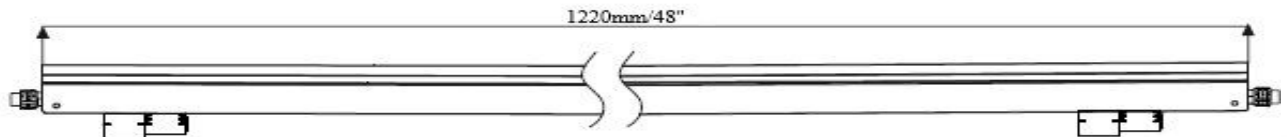
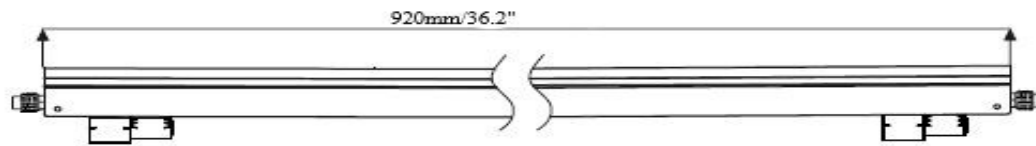
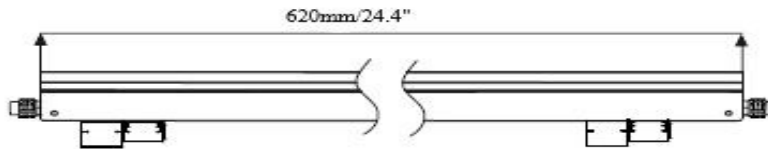
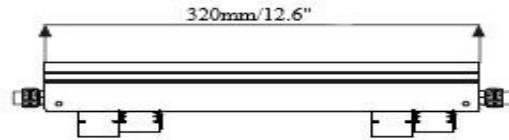
TECHNICAL INFORMATIONS TEKNİK ÖZELLİKLER

MODEL /SIZE	iPhoton LS32	iPhoton LS62	iPhoton LS92	iPhoton LS122
INTERIOR/EXTERIOR	EXTERIOR	EXTERIOR	EXTERIOR	EXTERIOR
LED	12	24	36	48
POWER	18W	35 W	55 W	70 W
CCT	WW,NW,CW,(RGBW)	WW,NW,CW,(RGBW)	WW,NW,CW,(RGBW)	WW,NW,CW,(RGBW)
CRI	80+	80+	80+	80+
VOLTAGE	110-277VDC	110-277VDC	110-277VDC	110-277VDC
OPTICS	10C,15C,25C,10X60C	10C,15C,25C,10X60C	10C,15C,25C,10X60C	10C,15C,25C,10X60C
EFFICACY	100LM/W	100LM/W	100LM/W	100LM/W
STORAGE TEMPERATURE	-40C / +80C	-40C / +80C	-40C / +80C	-40C / +80C
CONTROL	PWM/DALI/DMX/ONOFF	PWM/DALI/DMX/ONOFF	PWM/DALI/DMX/ONOFF	PWM/DALI/DMX/ONOFF
DIMENSIONS	W/H/L 44X24X320mm	W/H/L 44X24X620mm	W/H/L 44X24X920mm	W/H/L 44X24X1220mm
HOUSING/LENS	EXT.ALU; UV STABILIZED POLYCARBONATE	EXT.ALU; UV STABILIZED POLYCARBONATE	EXT.ALU; UV STABILIZED POLYCARBONATE	EXT.ALU; UV STABILIZED POLYCARBONATE
CABLES	RUBBER	RUBBER	RUBBER	RUBBER
WARRANTY	3/5* YEARS	3/5* YEARS	3/5* YEARS	3/5* YEARS
IP	67	67	67	67

* We provide 3 year warranty for DMX compatible wall washer and also 5 year warranty for monochrome wall washer series.

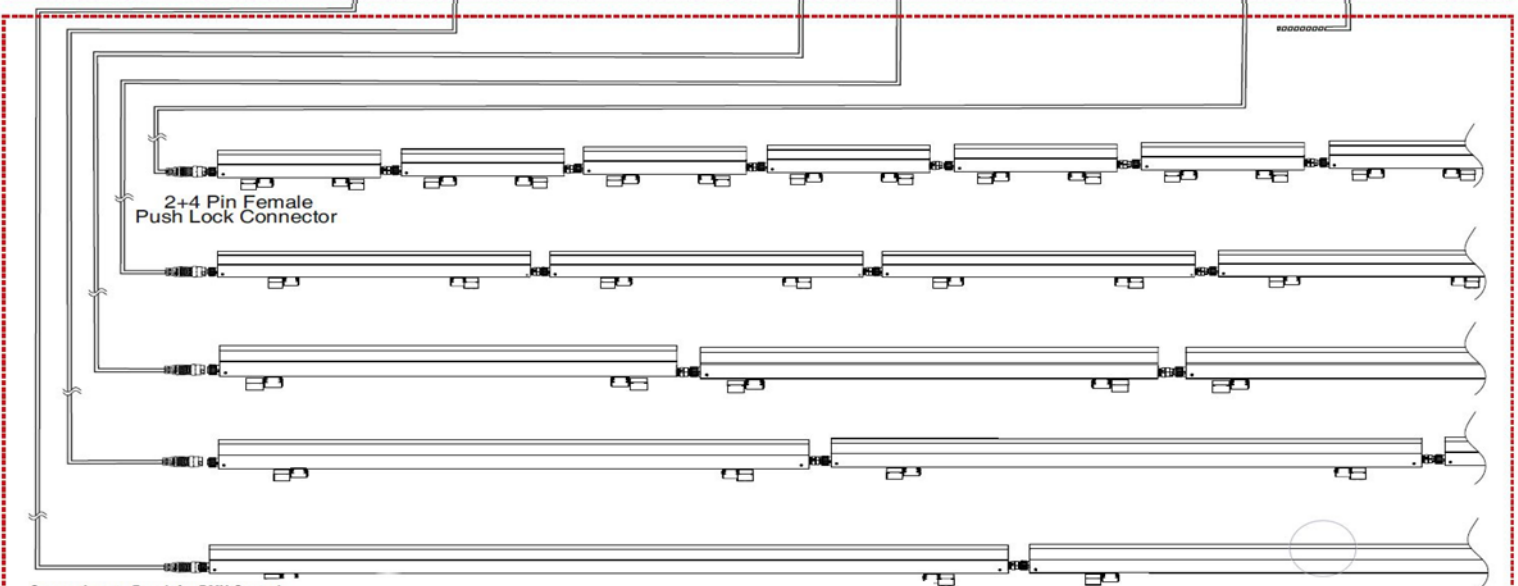
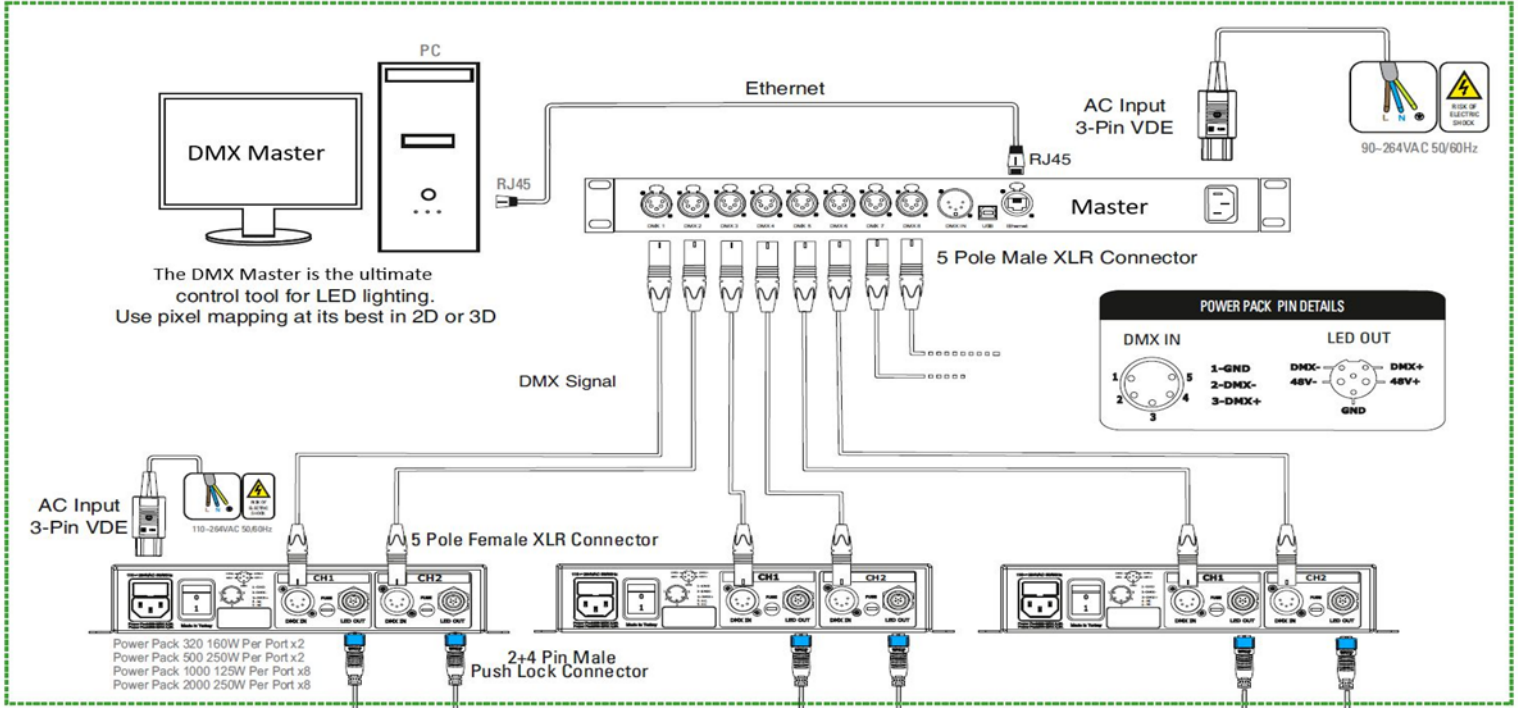


DIMENSIONS BOYUTLAR



STANDARD DMX CONNECTION DIAGRAM STANDART DMX BAĞLANTI ŞEMASI

Indoor Zone

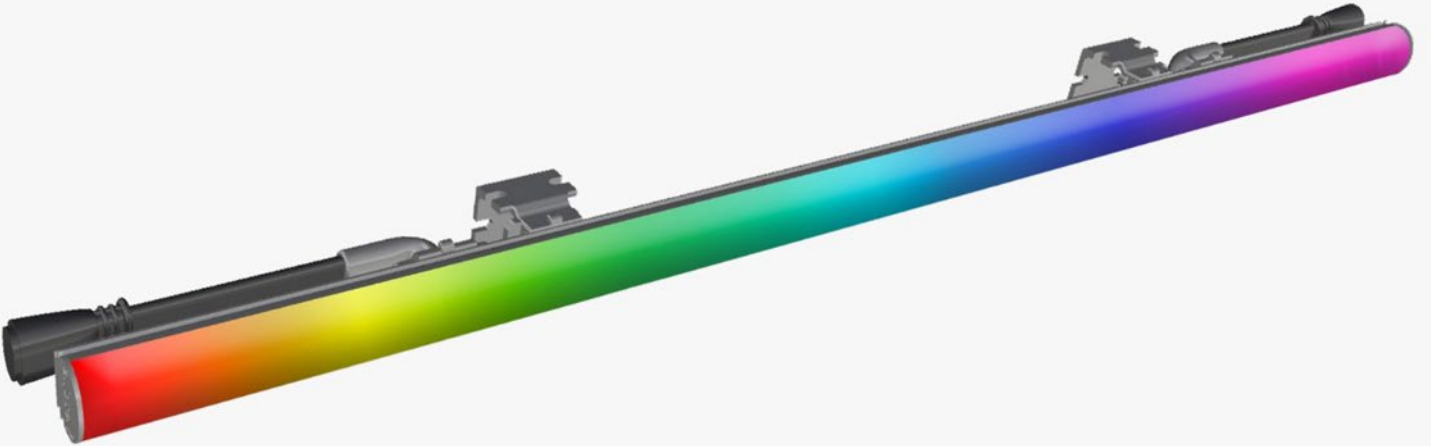


Outdoor Zone

Suggestions to Reach for DMX Control
The total cable length should not be more than 3,900 ft (1200m) without buffering.
The total fixture number should not be more than 32 pcs on a single line without buffering.
It is recommended to use only connection cables with a characteristic impedance of 120 ohm, where the DMX + and DMX - data lines are intertwined and there is a ground link as a coaxial screen surrounding the inner cores.
120 Ω terminating resistor should be connected between the DMX + and DMX - output connections on the last fixture.
Do not insert a passive Y-split into the control cabling.
Use a powered DMX splitter/buffer if it is necessary to separate the control link in order to feed fixtures in different locations.
Make sure that the DMX + and DMX - connections do not get crossed at any point.

Notes:
1) Maximum total length of chain (fixtures and leader cable) is 59m.
2) Maximum total length of fixtures in chain is 9m.
3) Maximum total length of leader cable is 50m.

LED BAR-DMX 512

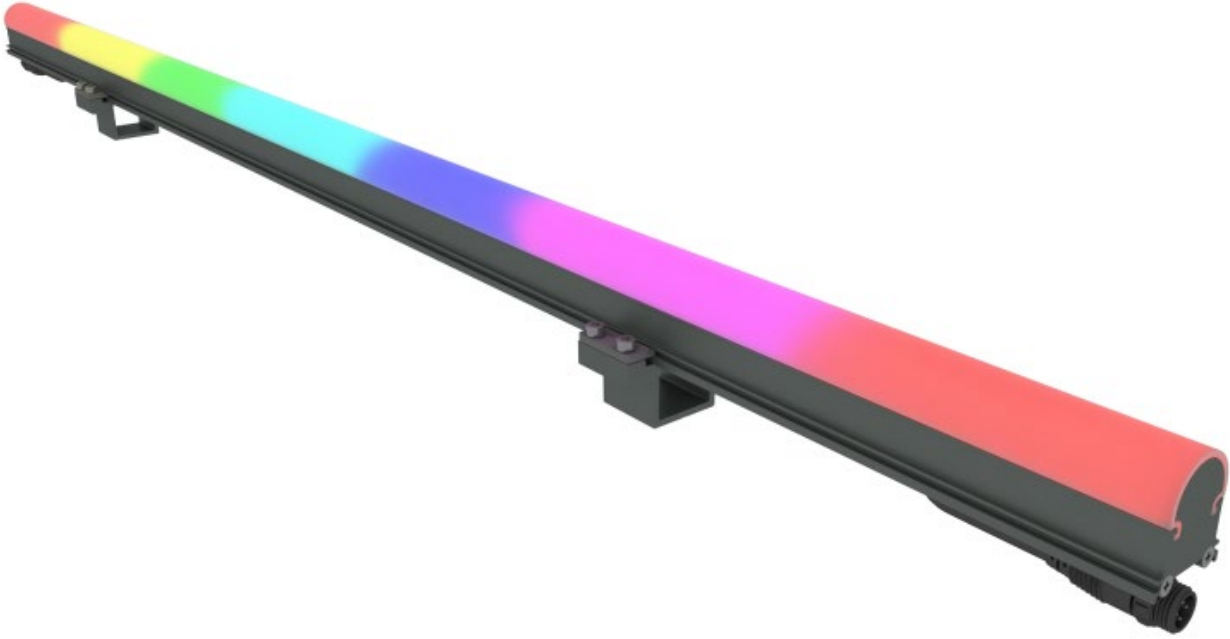


GENERAL INFORMATIONS GENEL ÖZELLİKLER

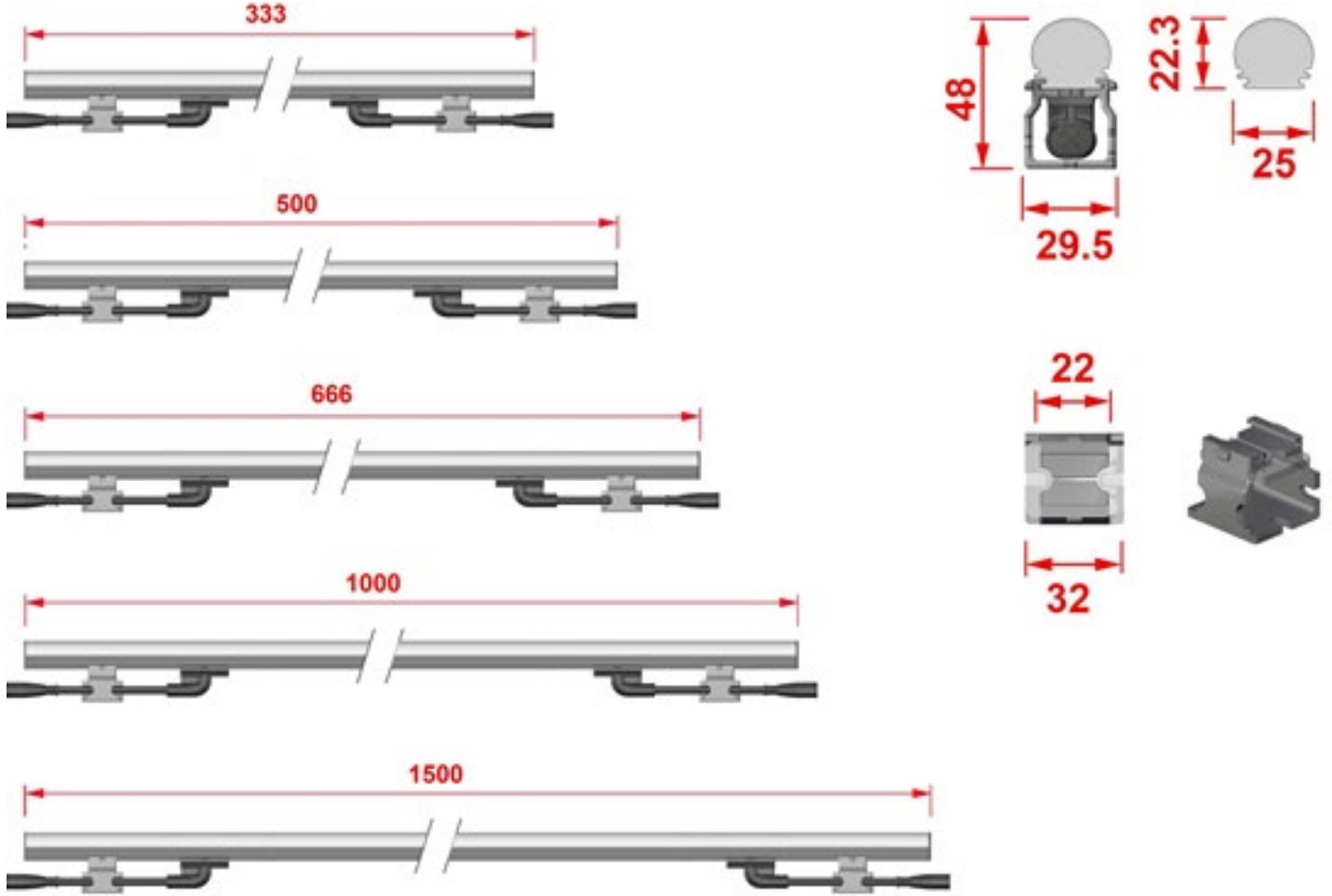
- LED CHIP BRANDS / TYPE NICHA, CREE / 3232 SMD, 3CHIPS IN 1 LED
- LIGHT COLOR / DEPTH RGB / 16 MILLION COLORS
- CONTROL DMX512A
- ADDRESSING AUTOMATIC / MANUEL
- LED/METER 36PCS/M
- PIXEL PITCH 166 MM
- LED/PIXEL 6 PCS
- PIXEL/METER 6 PCS
- INPUT VOLTAGE 24VDC
- POWER CONSUMPTION 8,5W/M (MAX. POWER)
- MAX. LENGTH OF LINE 20 METERS
- LED LIFESPAN 100.000 Hrs.
- BEAM ANGLES 140°
- BODY METARIAL / COLOR UV PROTECTION POLYCARBONATE / GREY
- DIFFUSER / TRANSPARENCY UV PROTECTION POLYCARBONATE / %85 TRANSLUCENT
- IP GRADE IP67
- OPERATING TEMPERATURE -25°C TO 65°C
- OPERATING HUMITIDY ≥5% -95% RH

MODELS MODELLER

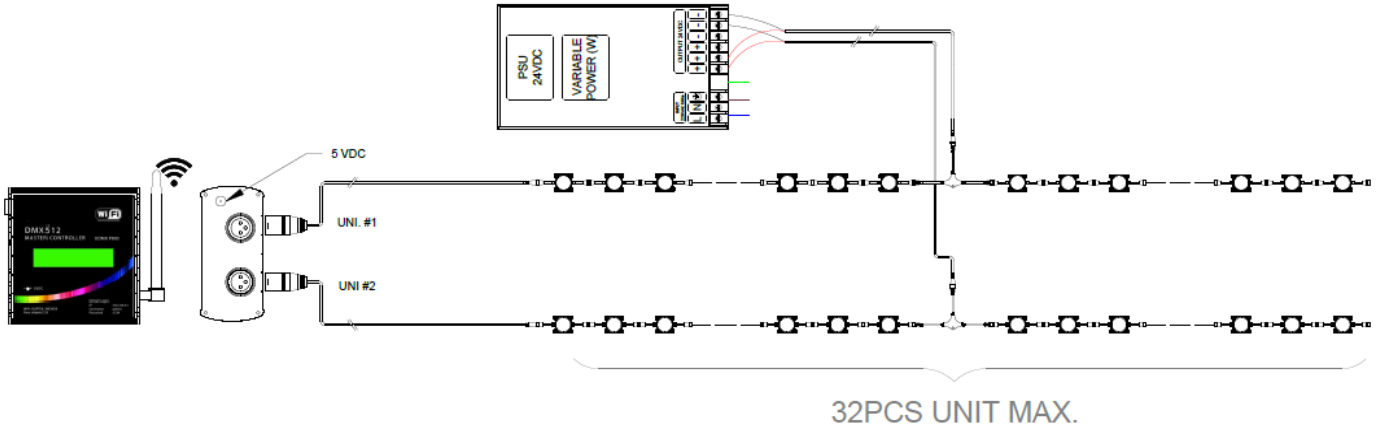
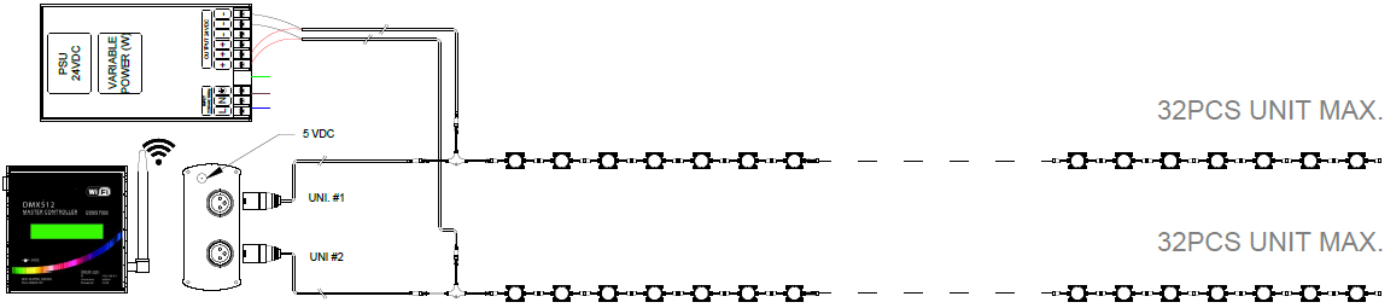
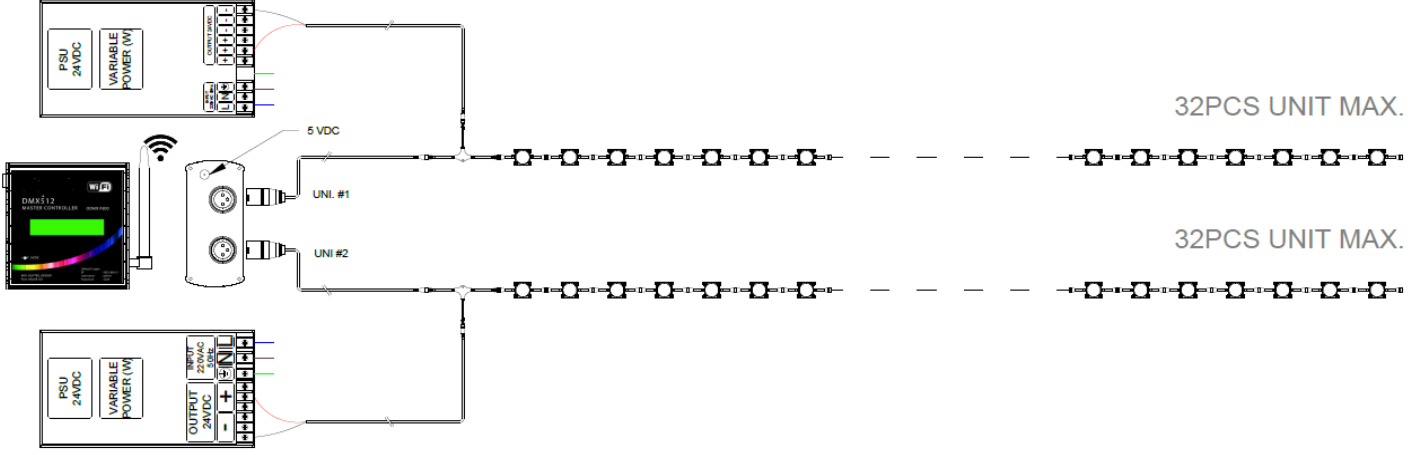
MODEL	NUMBER OF LEDs	NUMBER OF PIXELS	NUMBER OF CHANNELS	DIMENSIONS
LB-RGB 033	12	2	6	333X48X29.5 MM
LB-RGB 050	18	3	9	500X48X29.5 MM
LB-RGB 066	24	4	12	666X48X29.5 MM
LB-RGB 100	36	6	18	1000X48X29.5 MM
LB-RGB 150	54	9	27	1500X48X29.5 MM



DIMENSIONS BOYUTLAR








SCHEMATIC DIAGRAM EXAMPLES ŞEMATİK DİAGRAM ÖRNEKLERİ



ACCESORIES (CABLES) AKSESUARLAR (KABLolar)

CABLE TYPE	SPECIFICATION
	OSC SOC5S-040C, SEAL CONNECTOR, MALE/ FEMALE, 5WIRE, (2x2.5+3x0.34mm ²), BLUE, GREY, 40cm, BODY (PC+PE), IP67
	OSC SOC5M-100C, SEAL CONNECTOR, MALE, 5WIRE, (2x2.5+3x0.34mm ²), BLUE, GREY, 100cm, BODY (PC+PE), IP67
	OSC SOC5F-100C, SEAL CONNECTOR, FEMALE, 5WIRE, (2x2.5+3x0.34mm ²), BLUE, GREY, 100cm, BODY (PC+PE), IP67
	OSC SOC5E-100C, SEAL CONNECTOR, MALE TO FEMALE, 5WIRE, (2x2.5+3x0.34mm ²), BLUE, GREY, 100cm, BODY (PC+PE), IP67
	OSC SOC5T2-005C, SEAL CONNECTOR, FEMALE TO 2 MALE, 5WIRE, (2x2.5+3x0.34mm ²), BLUE, GREY, 5cm, BODY (PC+PE), IP67
	ODC XLR3E-100C DMx CONNECTOR MALE TO FEMALE 3x0,22mm ² 100cm P+M IP20
	ODC XLR3F-100C DMx CONNECTOR FEMALE TO WIRE 3x0,22mm ² 100cm P+M IP20
	ODC XLR3M-100C DMx CONNECTOR MALE TO WIRE 3x0,22mm ² 100cm P+M IP20
	ODC XLR5E-100C DMx CONNECTOR MALE TO FEMALE 5x0,22mm ² 100cm P+M IP20
	ODC XLR5F-100C DMx CONNECTOR FEMALE TO WIRE 5x0,22mm ² 100cm P+M IP20
	ODC XLR5M-100C DMx CONNECTOR MALE TO WIRE 5x0,22mm ² 100cm P+M IP20

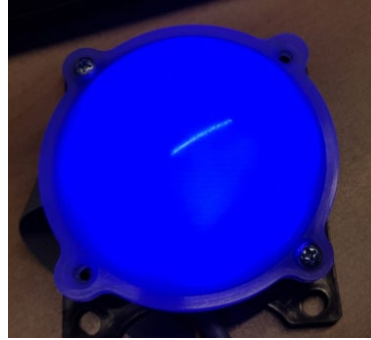
ACCESORIES (DMX MASTER CONTROLLERS) AKSESUARLAR (DMX MASTER KONTROLÖRLER)

GEAR TYPE	SPECIFICATION
	ODX S100A, BASIC, 1x512Ch, WiFi / WEB INTERFACE, STANDALONE 2 CONTROL BUTTON, NO SD CARD / 2MB, NO IR REMOTE, 1x3PIN XLR, ALU. WALL TYPE, 110x50x53mm, IP20
	ODX S200A, BASIC, 2x512Ch, WiFi / WEB INTERFACE, STANDALONE/LIVE, NO SD CARD / 2MB, IR REMOTE, 2x3PIN XLR, ALU. WALL TYPE, 110x50x53mm, IP20
	ODX P800A, PRO, 2x512Ch, WiFi / WEB INTERFACE, STANDALONE/LIVE, SD CARD 2GB, IR REMOTE, 2x3PIN XLR, ALU. WALL TYPE, 110x50x103mm, IP20
	CDMX GW4A, PRO, 4x512Ch, ETHERNET, LIVE, ALU. WALL TYPE, 190x40x115mm, IP20
	CDMX GW8A, PRO, 8x512Ch, ETHERNET, LIVE, ALU. WALL TYPE, 190x40x115mm, IP20



GENERAL INFORMATIONS GENEL ÖZELLİKLER

- BEAM ANGLES 140°
- INPUT VOLTAGE 24VDC
- PWM FREQUENCY 1600MHz
- MAX. UNIT IN LINE 32 PCS
- MAX. LEGHT IN LINE 20 METER
- CONTROL DMX512
- ADRESSING AUTOMATIC
- PCB TYPE 1,6MM FR4 PTH (Plated Through Hole)
- OPERATING TEMPERATURE -40°C TO 50°C
- IP GRADE IP66
- BODY POLICARBONATE / INOX SCREWS
- DIFFUSER POLICARBONATE
- CABLE PE, 2X2,5MM² + 3X0,22MM²
- CABLE LENGHT FEMALE : 135MM, MALE :149MM
- CONNECTOR PE, SEAL CONNECTOR, 5PIN, IP67
- DIMENSIONS L: 400MM (WITH CABLES) H: 53MM W:83.20MM
- WEIGHT 350 GR

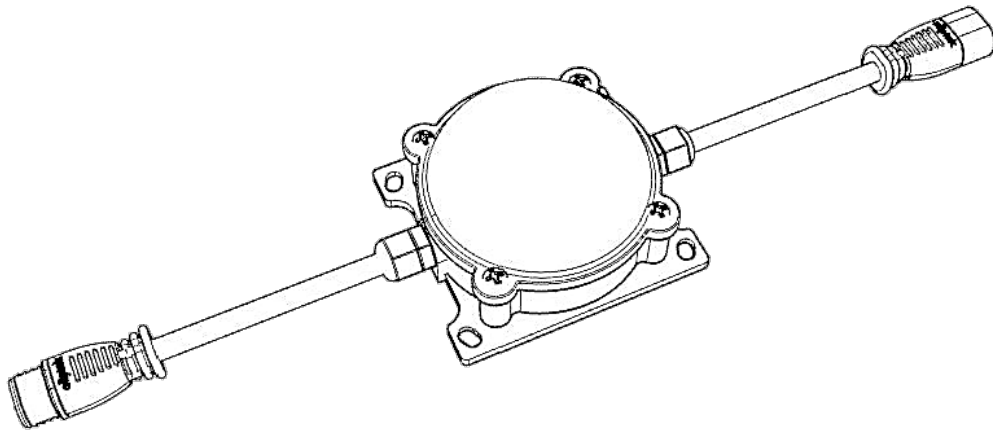
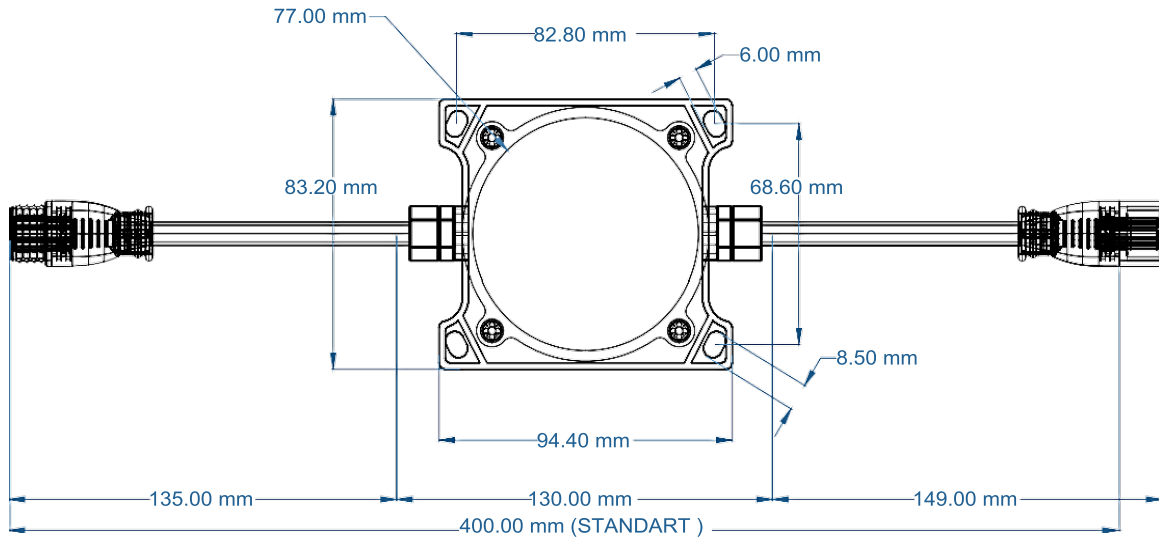
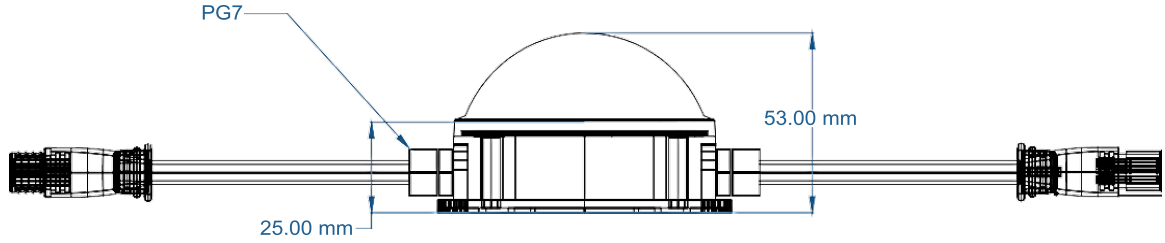


MODELS MODELLER

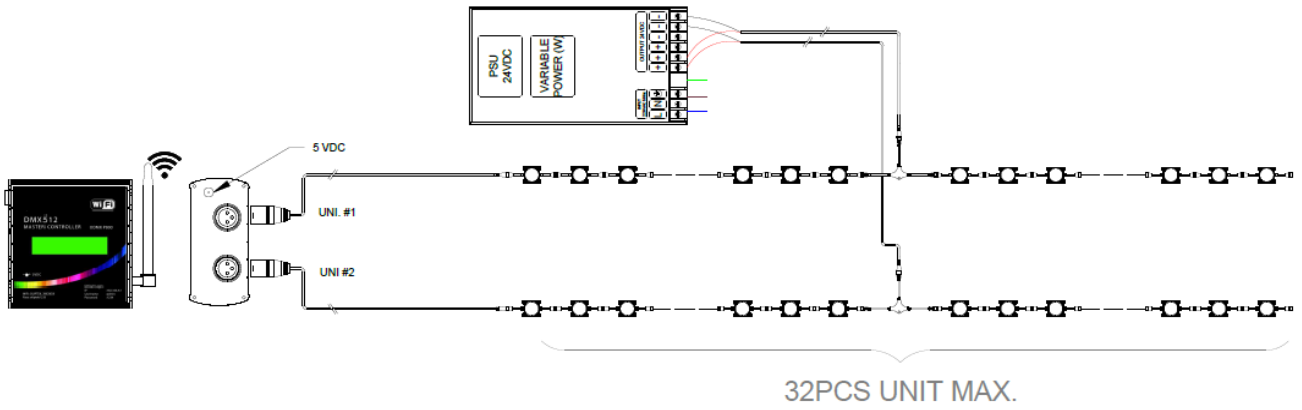
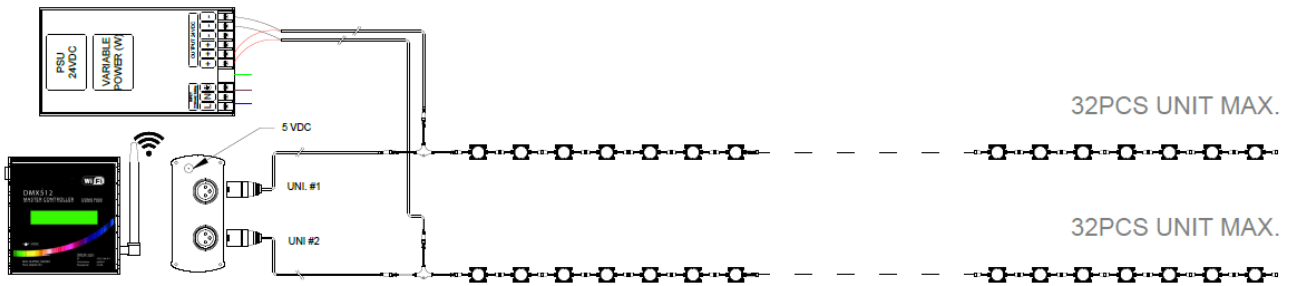
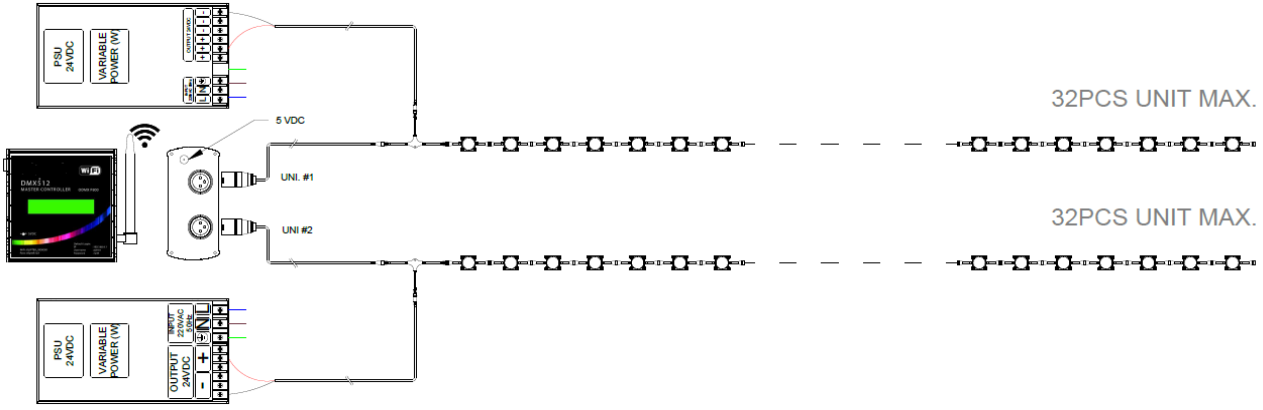
MODEL	CONTROL	# DMX CHANNEL	LIGHT COLOR	CHANNEL POWER	TOTAL POWER	QUANTITY	LED TYPE / MAX. CURRENT	LED BRANDS
PoiPiX - RGB	DMX512	3	RGB	3X0,83 W	2,50 W	12 PCS HIGH INTENSITY 3IN1 RGB LED	3535 / (3X60ma Max.)	NICHIA / CREE
PoiPiX - RGBW	DMX512	4	RGB	3X0,83 W	4,00 W	12 PCS HIGH INTENSITY 3IN1 RGB LED	3535 / (3X60ma Max.)	NICHIA / CREE
			W	1,50 W		12 PCS 2700K, 3000K, 4000K or 6500K	2835 / (60ma Max.)	SAMSUNG / OSRAM
PoiPiX - RGBA	DMX512	4	RGB	3X0,83 W	4,00 W	12 PCS HIGH INTENSITY 3IN1 RGB LED	3535 / (3X60ma Max.)	NICHIA/CREE
			A	1,50 W		12 PCS AMBER (590nm)	2835 / (20ma Max.)	CREE
PoiPiX - HIGH SINGLE	DMX512 / ON-OFF	1	W	3,00 W	3,00 W	24 PCS 2700K, 3000K, 4000K or 6500K	2835 / (60ma Max.)	SAMSUNG / OSRAM
			R	3,00 W		24 PCS RED (620nm)	2835 / (20ma Max.)	CREE
			G	3,00 W		24 PCS GREEN (527nm)	2835 / (20ma Max.)	CREE
			B	3,00 W		24 PCS BLUE (470nm)	2835 / (20ma Max.)	CREE
			A	3,00 W		24 PCS AMBER (590nm)	2835 / (20ma Max.)	CREE
PoiPiX - DYNAMIC WHITE	DMX512	2	2700K	1,50 W	3,00 W	12 PCS 2700K	2835 / (60ma Max.)	SAMSUNG / OSRAM
			6500K	1,50 W		12 PCS 6500K	2835 / (60ma Max.)	SAMSUNG / OSRAM
PoiPiX - MIX	DMX512	2	W,R,G,B,A	1,50 W	3,00 W	12 PCS (FOR EACH CHANNEL)	2835 / (60ma Max.)	SAMSUNG / OSRAM
			W,R,G,B,A	1,50 W		12 PCS (FOR EACH CHANNEL)	2835 / (60ma Max.)	SAMSUNG / OSRAM



DIMENSIONS BOYUTLAR








SCHEMATIC DIAGRAM EXAMPLES ŞEMATİK DİAGRAM ÖRNEKLERİ



ACCESORIES (CABLES) AKSESUARLAR (KABLolar)

CABLE TYPE	SPECIFICATION
	OSC SOC5S-040C, SEAL CONNECTOR, MALE/ FEMALE, 5WIRE, (2x2.5+3x0.34mm ²), BLUE, GREY, 40cm, BODY (PC+PE), IP67
	OSC SOC5M-100C, SEAL CONNECTOR, MALE, 5WIRE, (2x2.5+3x0.34mm ²), BLUE, GREY, 100cm, BODY (PC+PE), IP67
	OSC SOC5F-100C, SEAL CONNECTOR, FEMALE, 5WIRE, (2x2.5+3x0.34mm ²), BLUE, GREY, 100cm, BODY (PC+PE), IP67
	OSC SOC5E-100C, SEAL CONNECTOR, MALE TO FEMALE, 5WIRE, (2x2.5+3x0.34mm ²), BLUE, GREY, 100cm, BODY (PC+PE), IP67
	OSC SOC5T2-005C, SEAL CONNECTOR, FEMALE TO 2 MALE, 5WIRE, (2x2.5+3x0.34mm ²), BLUE, GREY, 5cm, BODY (PC+PE), IP67
	ODC XLR3E-100C DMx CONNECTOR MALE TO FEMALE 3x0,22mm ² 100cm P+M IP20
	ODC XLR3F-100C DMx CONNECTOR FEMALE TO WIRE 3x0,22mm ² 100cm P+M IP20
	ODC XLR3M-100C DMx CONNECTOR MALE TO WIRE 3x0,22mm ² 100cm P+M IP20
	ODC XLR5E-100C DMx CONNECTOR MALE TO FEMALE 5x0,22mm ² 100cm P+M IP20
	ODC XLR5F-100C DMx CONNECTOR FEMALE TO WIRE 5x0,22mm ² 100cm P+M IP20
	ODC XLR5M-100C DMx CONNECTOR MALE TO WIRE 5x0,22mm ² 100cm P+M IP20

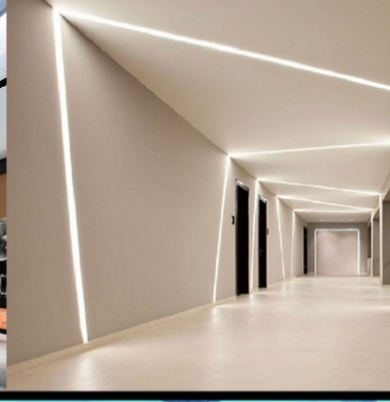
ACCESORIES (DMX MASTER CONTROLLERS) AKSESUARLAR (DMX MASTER KONTROLÖRLER)

GEAR TYPE	SPECIFICATION
	ODX S100A, BASIC, 1x512Ch, WiFi / WEB INTERFACE, STANDALONE 2 CONTROL BUTTON, NO SD CARD / 2MB, NO IR REMOTE, 1x3PIN XLR, ALU. WALL TYPE, 110x50x53mm, IP20
	ODX S200A, BASIC, 2x512Ch, WiFi / WEB INTERFACE, STANDALONE/LIVE, NO SD CARD / 2MB, IR REMOTE, 2x3PIN XLR, ALU. WALL TYPE, 110x50x53mm, IP20
	ODX P800A, PRO, 2x512Ch, WiFi / WEB INTERFACE, STANDALONE/LIVE, SD CARD 2GB, IR REMOTE, 2x3PIN XLR, ALU. WALL TYPE, 110x50x103mm, IP20
	CDMX GW4A, PRO, 4x512Ch, ETHERNET, LIVE, ALU. WALL TYPE, 190x40x115mm, IP20
	CDMX GW8A, PRO, 8x512Ch, ETHERNET, LIVE, ALU. WALL TYPE, 190x40x115mm, IP20



fotonik

Creates Intelligent Photons



UVA



UVB



UVC



9001:2015



14001:2015



45001:2018



13485:2016



Ar-Ge/R&D: A. Veysel Bulv. ERU TGB 4. Bina, No: 67-3/41, M.Gazi/KAYSERİ

+90 352 502 02 50

Fabrika/Factory: Anbar Mah. 2973. Sokak A2 Blok No:11/D, M.Gazi/KAYSERİ

+90 555 090 12 38

İstanbul: +90 212 401 98 38
+90 542 532 47 16
istanbul@fotonik.com.tr

Ankara: +90 312 335 25 94
+90 530 868 35 59
ankara@fotonik.com.tr

İzmir: +90 232 570 01 18
+90 544 344 40 31
izmir@fotonik.com.tr

Bursa: +90 224 441 00 68
+90 533 442 64 44
bursa@fotonik.com.tr

Antalya: +90 352 502 02 50
+90 541 470 16 39
antalya@fotonik.com.tr



www.fotonik.com.tr